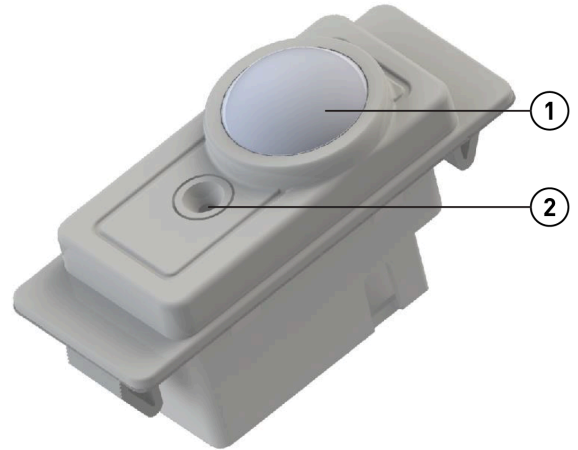


5636 Multisense R60 High Bay

The 5636 Multisense R60 High Bay is a luminaire-based sensor which can be used with wireless control solution Helvar ActiveAhead®. 5636 Multisense High Bay combines a PIR sensor for movement detections and a light sensor for daylight savings. This sensor follows the Zhaga Book 20 mechanical dimensions for a rectangular sensor which suits to a 60 mm x 22 mm slot on a luminaire. The front side of the sensor is IP65 rated allowing it to be used in applications such as industrial.

A Helvar Freedom connecting cable of a chosen length is required to connect this sensor to a Node. This sensor can be used on the wireless self-learning lighting control solution Helvar ActiveAhead.

If the sensor is connected to non-SELV control gear, the luminaire must be Class I.



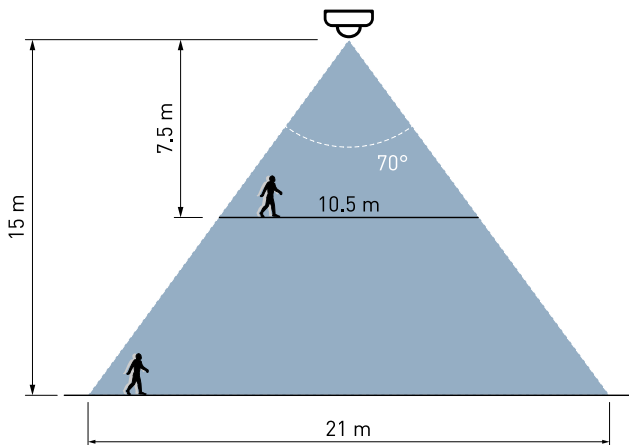
1. PIR sensor
2. Light sensor

Key Features

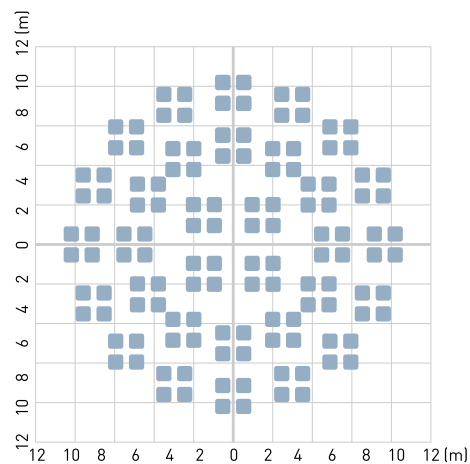
- Small Helvar Freedom luminaire based high bay multisensor for Helvar ActiveAhead®
- Fits to a standard Zhaga Book 20 based rectangular 60 mm x 22 mm (+/- 0.2 mm tolerance) luminaire slot
- IP65 rated front side
- Select a Helvar Freedom connecting cable length of choice

Sensor Detection Coverage

Presence detection - Passive infrared (PIR)

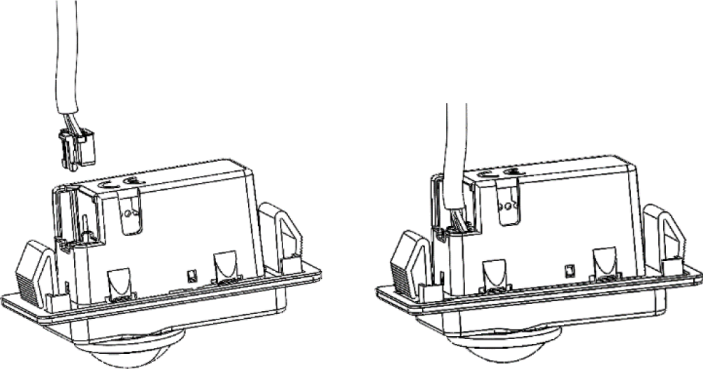


Detection pattern at floor level for 15 m mounting height



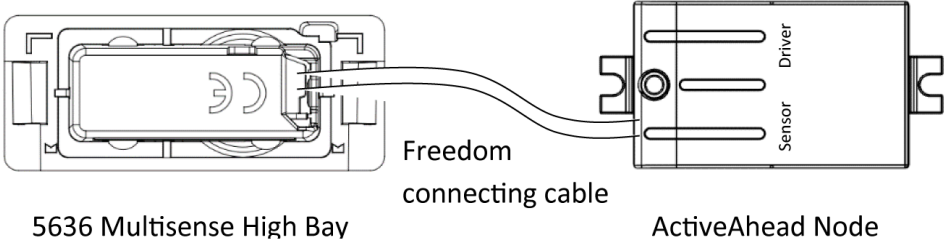
Detection range and sensitivity depends on the speed and size of the moving object as well as its temperature difference to the surroundings. Moving directionally towards the sensor will give worse detection than crossing the detection area on an angle.

Connections

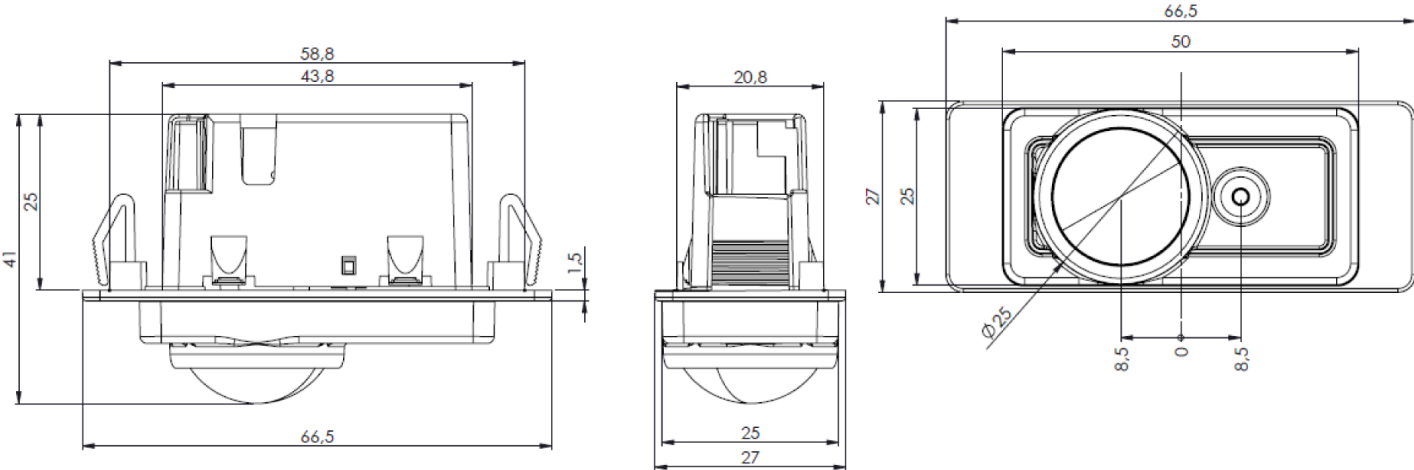


5636 Multisense High Bay has a connector for the Freedom connecting cable.

Picture below presents how a 5636 Multisense High Bay is connected to an ActiveAhead Node with a Freedom connecting cable.



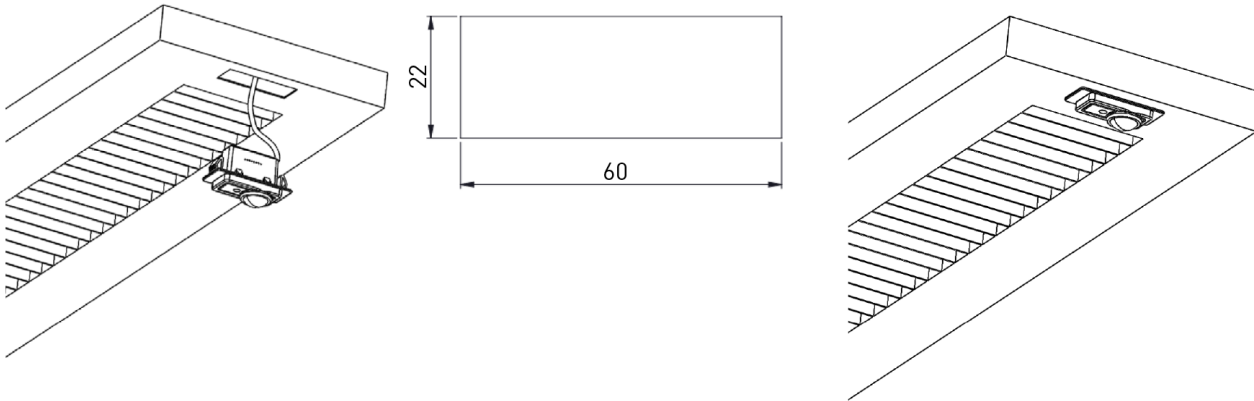
Dimensions (mm)



Mounting

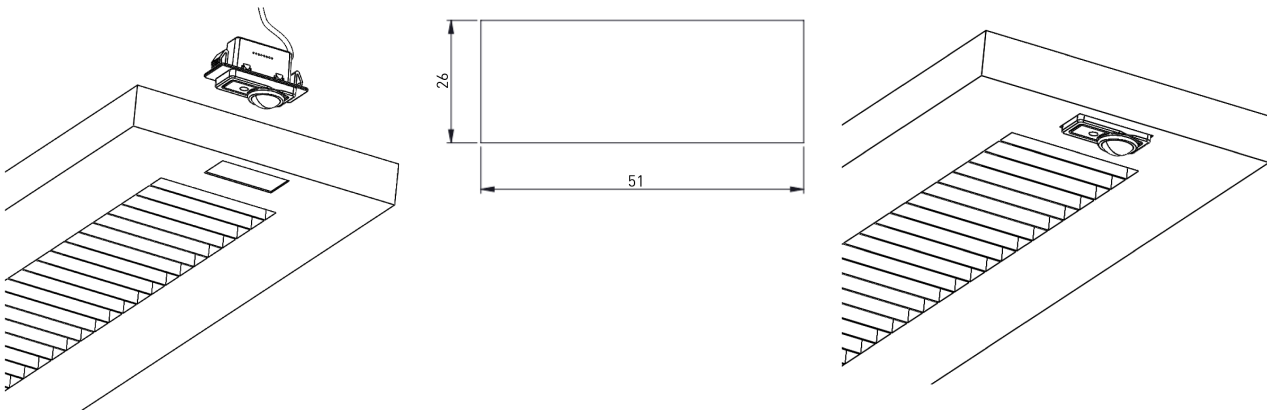
5636 Multisense High Bay can be mounted to a luminaire following the Zhaga Book 20 rectangular 60 mm x 22 mm (+/- 0.2 mm) sized luminaire slot or using the batten mountable holder accessory in the following ways.

1. Rectangular hole for mounting from outside the luminaire inwards (recommended)




Carefully push the unit into the cutout until it 'clicks' into place and sits flush with the luminaire casing. Supported luminaire frame thickness in the range $0.4 \leq d \leq 1.5$ mm.

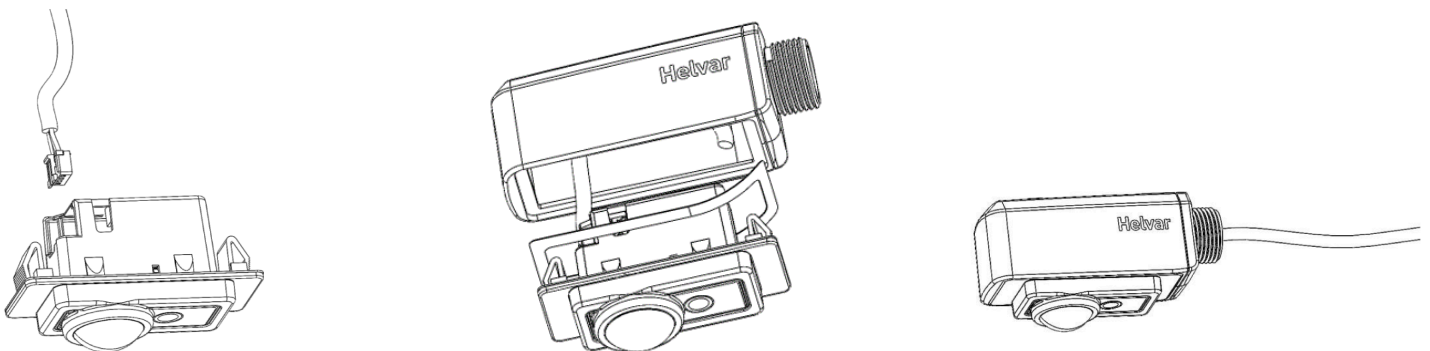
2. Rectangular hole for mounting from inside the luminaire outwards



Ensure the face of the unit sits level with the luminaire casing and secure the unit in place.

 Note: For IP65 units. Ensure the rating is met when the sensor is mounted from inside the luminaire. The sensor has no seal on the outside surface.

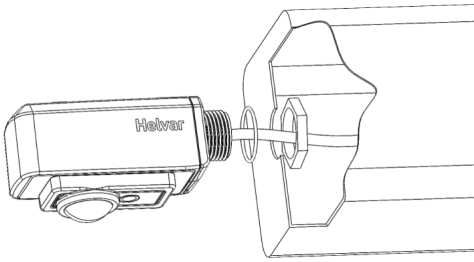
3. 5696G - R60 Sensor Holder Batten Mount accessory (sold separately)



a) Connect the Freedom connecting cable.

b) Remove the tape liner and feed the cable through the holder.

c) Push the unit into the holder.



d) Feed the cable through the hole in the luminaire, connect the cable to the LED driver and fasten the holder to the luminaire using the O-ring and a M20 nut.

Technical Data

Connections

Freedom:	Connector for the Freedom connecting cable. Note: If the sensor is connected to non-SELV control gear, the luminaire must be Class I. Cable length must not exceed 150 cm.
----------	--

Electrical data

Input voltage:	3.0 - 3.6 V provided by Freedom Node
Max. power consumption:	36 mW

Movement detection sensor

Technology:	Passive infrared (PIR) detects moving temperature differences
Detection coverage area:	346 m ² @ 15 m mounting height 87 m ² @ 7 m mounting height achieved with: - 8 C° temperature difference to target - 1.0 m/s movement speed - 700 x 250 mm object size
Max. recommended mounting height:	17 m

Light sensor

Technology:	Closed loop reflected light for bright-out function
Illuminance:	5 lx to 5000 lx


Operating and storage conditions

Operating temperature:	0 °C to +50 °C Note: The temperature difference between the detection target and the background must be at least 4 °C.
Relative humidity:	Max. 85 %, noncondensing
Storage temperature:	-20 °C to +70 °C

Mechanical data

Dimensions:	66.5 mm x 27 mm x 41 mm
Material (casing):	Fire-retardant PC/ABS blend
Colour:	Grey (RAL 7035)
IP rating:	IP65 front, IP20 back
Weight:	16 g

Conformity and standards

Conformity:	
EMC emission:	EN 55015
EMC immunity:	EN 61547
Safety:	EN 61347-2-11
Environment:	Complies with WEEE and RoHS directives.

Order codes

5636G	Multisense R60 High Bay Grey
5696G	R60 Sensor Holder Batten Mount