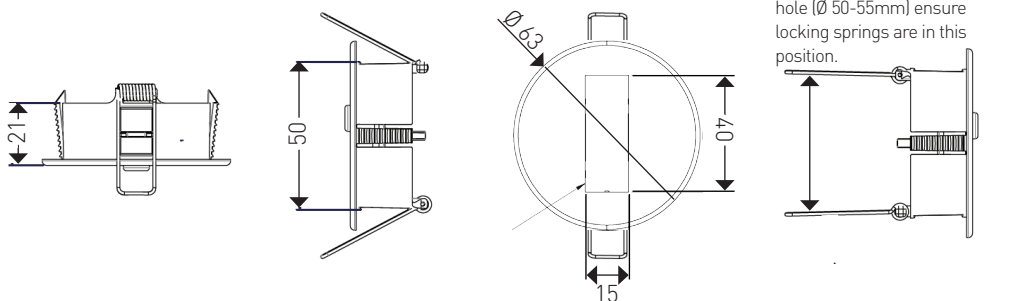
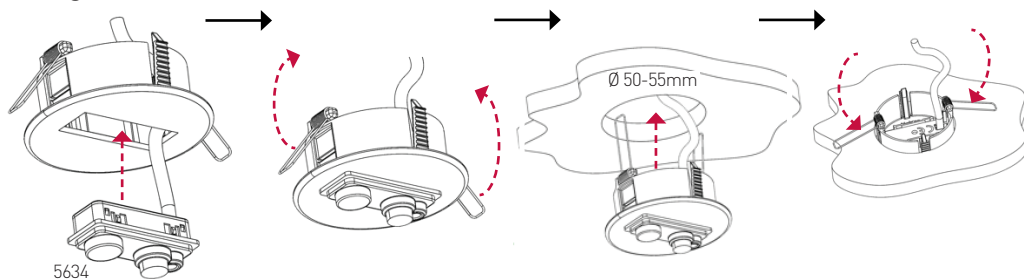


- Accessory for mounting the ActiveAhead Node Sense to the ceiling.
- Easy installation to recessed ceiling.
- Suitable for a 50-55mm diameter cutout.
- Available in white (5693).

Dimensions (mm)



Fitting



Materials and Conditions

Material Specifications

Material Type	Polycarbonate
Fire Retardant	Yes
UV Protected	Yes
Colour	White, RAL 9016

Glow-wire flammability test (GWFI) 650°C (IEC 60695-2-12)

Operating and Storage Conditions

Ambient temperature range: 0 °C to +40 °C
Storage temperature range: -40 °C to +80 °C



Note: Holder cannot be used to provide higher classification against ingress of dust or moisture.

Conformity and Standards

Luminaires - Part: General requirements and tests EN 60598-1

Compliant with relevant EU directives (when correctly installed in the luminaire).