

Active+ Sense: Rectangular holder

Sensor Accessory Series

- Accessory for mounting the Active+ Sense sensor to the luminaire
- Easy installation
- Suitable for either flush or surface mounting of Active+ Sense sensor
- Sturdy structure, internal strain relief
- Available in white (3099100) or grey (3099000)



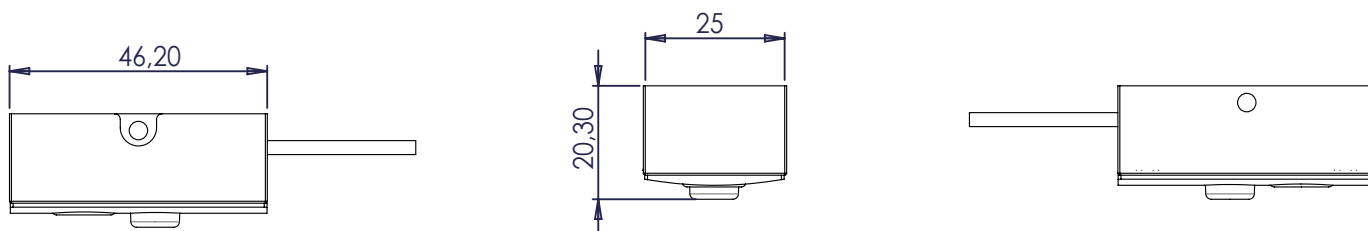
PACKAGE CONTENTS

One set of Active+ Sense: Rectangular holder accessory kit consists of the following parts:

- Front cover
- Fixing case
- Strain relief
- 2 screws (M3x10) for the strain relief

The rectangular sensor holders are packed in bags of 10 holder sets each.

DIMENSIONS



Tolerance for dimensions $\pm 0,1$ mm

MATERIALS AND CONDITIONS

Material Specifications

Material type	Polycarbonate
Fire retardant	Yes
UV protected	Yes
Colour	White, RAL 9016 as default Product code 3099100 Grey, RAL 9006 on request Product code 3099000
Glow-wire flammability test (GWFI) passed at	900 °C (IEC 60695-2-12)

Operating & Storage Conditions

Ambient temperature range	-20...+50 °C
Storage temperature range	-40...+80 °C
Do not store in wet or humid environment!	

Without any additional sealing, holder itself cannot be used to provide higher classification against ingress of dust or moisture than IP20.

Conformity & Standards

Luminaires - Part 1: General requirements and tests	IEC 60598-1:ed.8 2014 EN 60598-1:2015
---	--

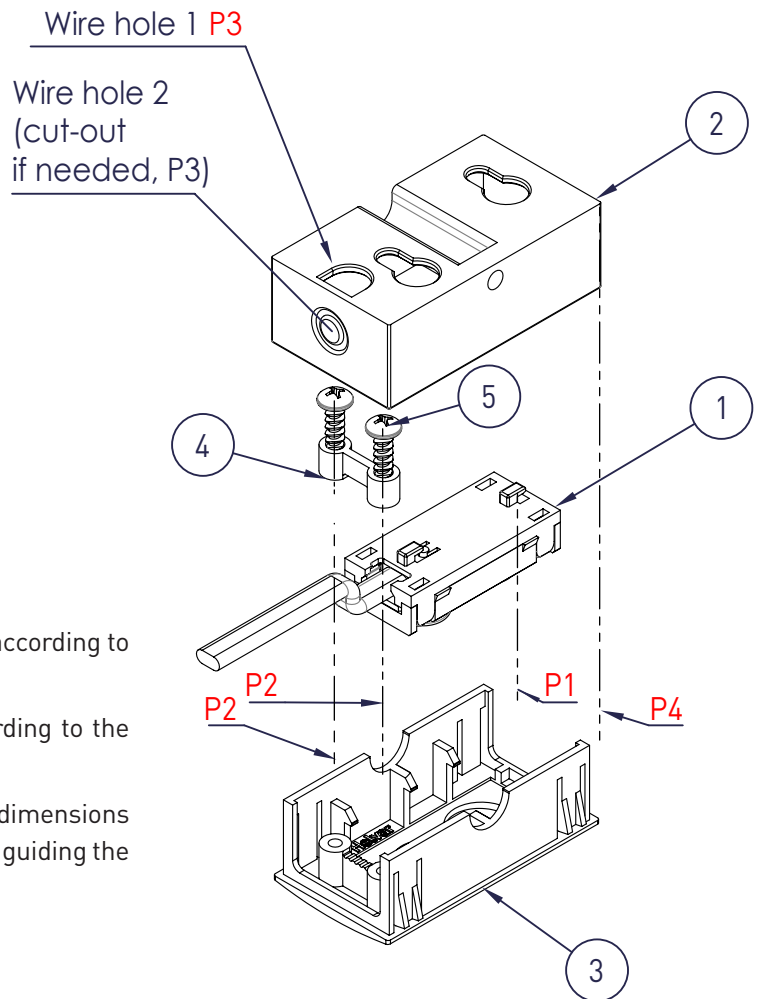
Compliant with relevant EU directives, CE marked, RoHS/REACH compliant

Assembly instructions

The Active+ Sense: Rectangular holder can be used either to flush mount the Active+ Sense sensor or surface mount it to the ceiling or the wall.

(Note: Accessory not suitable for mounting of freeDim Sense sensor)

1. Active+ Sense sensor
2. Fixing case
3. Front cover
4. Strain relief

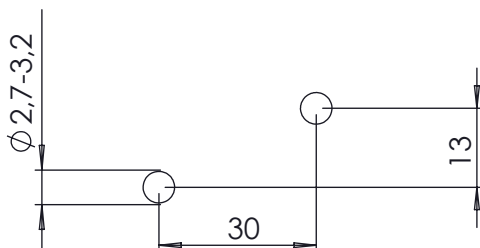


STEPS (FLUSH MOUNTING)

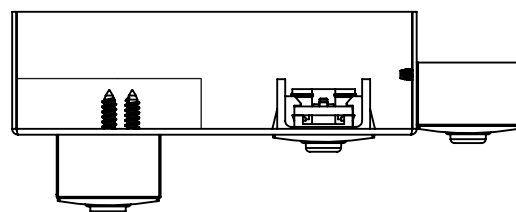
- 1) Clip the Active+ Sense sensor into the Front cover according to the Phase 1 (P1) in the figure above.
- 2) Attach the strain relief onto the Front cover according to the Phase 2 (P2) in the figure above.
- 3) Clip the Front cover into a rectangular hole with the dimensions of **23,2 mm x 44,0 mm** (sheet thickness 0.5 - 1.0 mm), guiding the sensor cable through the hole first.

STEPS (SURFACE MOUNTING)

- 1) Clip the Active+ Sense sensor into the Front cover according to the Phase 1 (P1) in the figure above.
- 2) Attach the strain relief onto the Front cover according to the Phase 2 (P2) in the figure above.
- 3) Screw the Fixing case onto the surface either through the holes on the bottom (positioning of the holes illustrated in the figure below), or along the slot through the fixing hole at the side of the case.
- 4) Pull the sensor cable with the connector through the wire hole of the Fixing case illustrated as Phase 3 (P3) in the figure above.
- 5) Clip the Front cover to the Fixing case according to the Phase 4 (P4) in the figure above.



Fixing holes



Mounting alternatives