

# LCD TouchPanel (924x)

The TouchPanel (924) is a 3.5" touch-sensitive 65 000 colour LCD screen that can be used for controlling and programming a Helvar lighting control system.

## Key Features

- Built-in astronomic real-time clock
- Automatic scene changing (sequences and cycles)
- Integral infrared receiver
- Customisable graphics and user language selection
- Compatible with Helvar DIGIDIM Router system via DALI
- Can be powered by 458 Dimmer

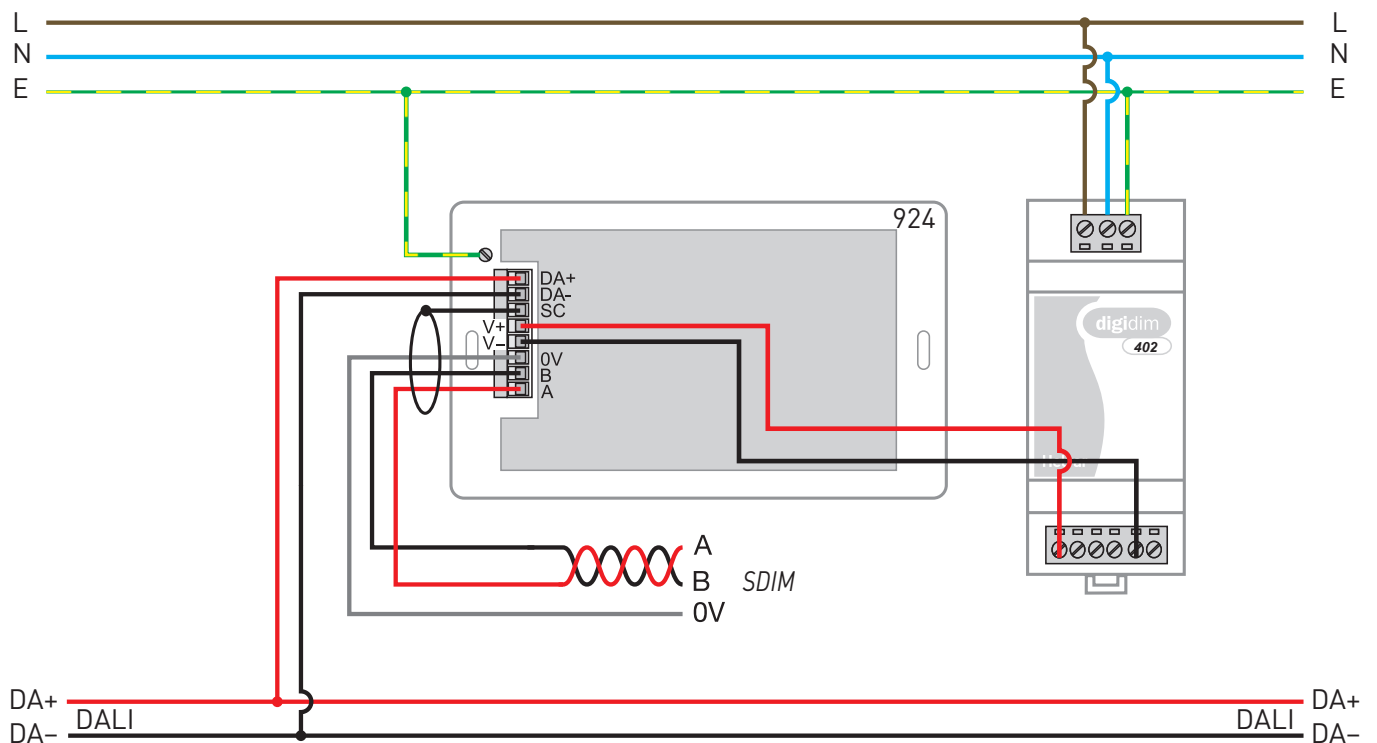


## Product Order Codes

- 9240 White
- 9241 Polished Brass
- 9242 Brushed Stainless Steel



## Connections



## Technical Data

### Connections

- DALI cable:** 2-wire, 1.0 mm<sup>2</sup> – 1.5 mm<sup>2</sup>  
Example: Belden 8471
- S-DIM cable:** Low-loss, multistranded RS485 type, up to 1000 m, 0.22 mm<sup>2</sup> – 1.5 mm<sup>2</sup>.  
Examples: Belden 8102 or Alpha 6222C. One twisted pair for A and B (85 Ω – 100 Ω impedance), one core or twisted pair for 0 V, and shield for screen.
- Ethernet:** Not used. This port will be supported in a future firmware release.

### Power

- Power supply:** 14 VDC – 50 VDC externally supplied  
Power Supply: 401 or 402, or dimmer packs 91200, 99300, 99400. 14 to 50 V DC. 401 or 402 recommended.

### Mechanical data

- Dimensions:** 146 mm × 88 mm × 35 mm
- Weight:** 350 g
- IP code:** IP30
- Back box:** Requires double-gang UK back box (provided in the package)

### Operating and storage conditions

- Ambient temperature:** 0 °C to +35 °C
- Relative humidity:** Max. 90 %, noncondensing
- Storage temperature:** -10 °C to +70 °C

### Conformity and standards

- Emission:** EN 55022 Class A
- Immunity:** EN 55024
- Safety:** EN 60950-1
- Environment:** Complies with WEEE and RoHS directives.

### Software

- System:** Helvar DIGIDIM or standalone system
- Software:** Helvar Designer and Touch-Panel
- DALI addresses:** See TouchPanel user manual

### Dimensions (mm)

