

## Frame Kit (23x)

The 23x Series is a customisable DALI-compatible range of frame kits (frame and chassis) for Helvar 12x and 13xx control modules.

### Key Features

- Compatible with any of Helvar 12x and 13xx panel modules, including customisable versions.
- Designed to fit DIN and UK standard back boxes.
- Double-gang version can take three independent modules.

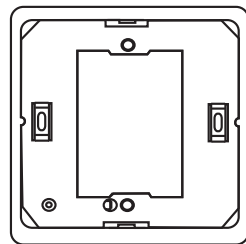
### Finishes

The frames kits are available in the following range of finishes:

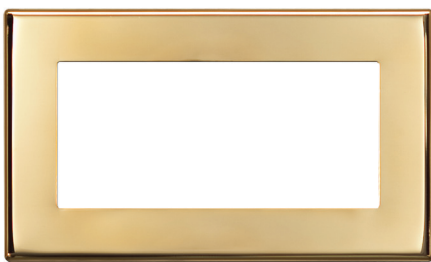
Frame finish	Single-gang code	Double-gang code
Painted White	234 S	234 D
Metal		
Stainless Steel	232 S	232 D
Polished Brass	231 S	231 D
White Plastic	230 S	230 D



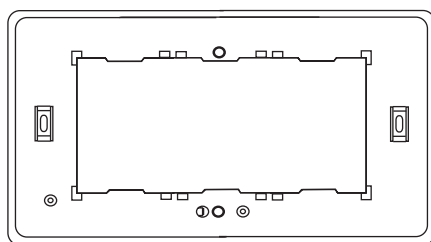
Single Frame



Single Chassis



Double Frame



Double Chassis

The Helvar 12x and 13xx control modules are sold separately.

## Technical Data

### Dimensions

**Single frame dimension:** 86 mm × 86 mm × 4.5 mm  
(White Plastic: 88.4 mm × 88.4 mm × 4.5 mm)

**Double frame dimensions:** 146 mm × 86 mm × 4.5 mm  
(White Plastic: 160 mm × 88.4 mm × 4.5 mm)

**Single chassis dimensions:** 86 mm × 86 mm × 5.9 mm

**Double chassis dimensions:** 146 mm × 86 mm × 5.9 mm

### Weight

**Single frame kit – Net weight:** 100 g

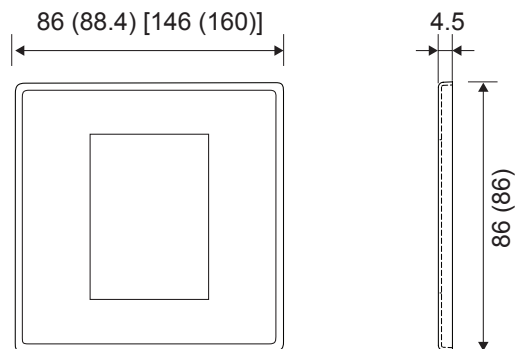
**Single frame kit – Shipping weight:** 130 g

**Double frame kit – Net weight:** 144 g

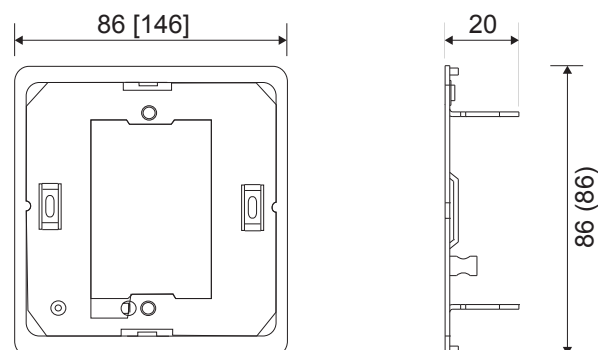
**Double frame kit – Shipping weight:** 184 g

### Dimensions (mm)

#### Frame



#### Chassis



( ) = White plastic dimensions  
[ ] = Double-gang dimensions